

# SIGNIO

Adjustable Outdoor Sign Light



**Applications:** Signage, wall art, building perimeters, facades, entrances and architectural

## PERFORMANCE SUMMARY

Our Signio Series linear sign-lighter features a slim low-profile structure designed to enhance both form and function of any architectural application

This fixture comes standard with an 80° adjustable lens and a window distribution, directing light precisely and evenly over the entire length of the wall. Complete with its many mounting options the Signio is made to add value to retail and commercial settings

## Construction

- Silkscreen printed tempered glass lens resistant to thermal shock
- Surface finished with a proprietary Akzo Nobel treatment, withstanding harsh weather conditions without cracking or peeling
- Copper free die cast corrosion resistant extruded aluminum.
- Marine resistant finish available for installation in coastal regions and natatoriums
- Stainless steel fasteners
- 3G vibration rated per ANSI C136.31
- IP65 rating one piece silicon gasket

## Optics

- 120° window distribution designed for a precise strip output to create a “highlight” effect
- UV resistant high clarity tempered glass lens
- Fully adjustable 80° lens swivel design
- CRI: RA80

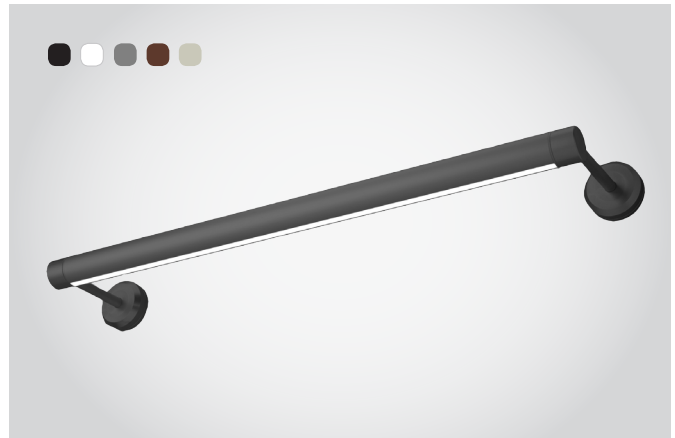
## Electrical

- DC24V
- Environment Location: IP65
- Average Rated Life: 90,000hrs
- Ambient Temp: -4°F to 113°F
- PF: > 0.95

## PRODUCT CODE

Example Signio cat. 24.30.C30.12.B.WB.6.0

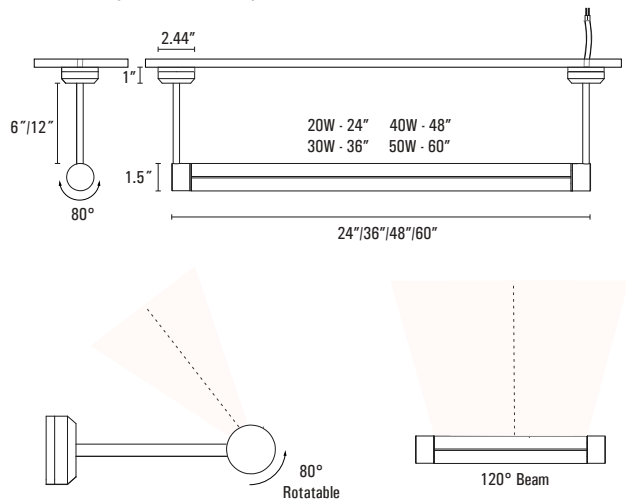
Model No	Remote Driver	CCT (K)	Wattage (W)	Beam Angle	Housing Color	Mounting Bracket	Arm Length	Options
Signio	24 - DC24V	27 - 2700	C20 - 20W	12 - 120°	B - Black	EC - End Mounting 3/4" Conduit WB - Wall Bracket	4 - 4"	M - Marine Resistance O - None
		30 - 3000	1,960Lm	Window	RAL9011		6 - 6"	
		40 - 4000	C30 - 30W		W - White		12 - 12"	
		50 - 5000	2,940Lm		RAL9016		xx - Custom Up to 12"	
			C40 - 40W		G - Gray			
			3,920Lm		RAL7012			
			C50 - 50W		M - Mineral Bronze			
			4,900Lms		S - Silver			
					RAL9006			



Specification	
Lumen Package	1,960 - 4,900
Wattage Range	20 - 50
Efficacy	100
Weight lbs (kg)	3.3 (1.5) - 10.8 (4.9)

## DIMENSIONS

Weight: (May vary with accessories)  
 11W: 3.3lbs (1.5kg) 21W: 7.5lbs (3.4kg)  
 32W: 8.4lbs (3.8kg) 43W: 10.8lbs (4.9kg)



# SIGNIO

Adjustable Outdoor Sign Light

## WIRING ACCESSORIES

Order as separate catalog number

**DC24V/IP67  
Power Supply**

**Joining  
Hardware**

240 - 240W

3P - 3 Way IP67 T-Joint

320 - 320W

480 - 480W

## MOUNTING



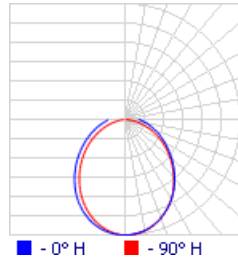
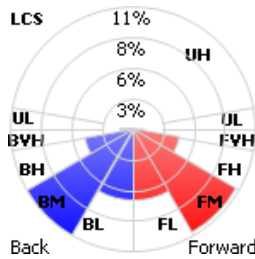
**EC**  
End Mounting  
3/4" Conduit



**WB**  
Wall  
Bracket

## PHOTOMETRICS

120°



## Safety

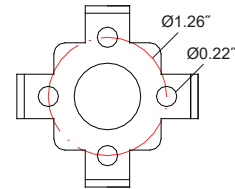
- Check the input voltage is correct prior to installation
- Install in warm and dry weather
- The entire installation and assembly must be operated by a professional electrician
- Switch off mains power during installation in case of electric shock.
- Joints must be waterproofed properly, recommended IP68 minimum
- Do not operate on a same circuit with HID fixtures or electric motors
- Not recommended for use in corrosive environments, low-lying permanent waterways or next to pool areas
- Any electrical joints to be higher than ground level

## INSTALLATION INSTRUCTIONS

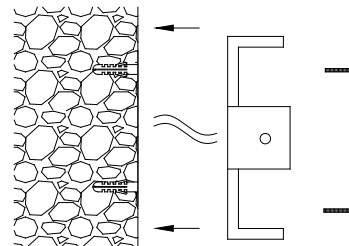
- (1) Open the carton, remove fixture, installation hardware and tools
- (2) Unscrew the plate cover and remove the screws from the chassis bracket



- (3) Remove mounting plate
- (4) Prepare the wiring according to the dimension of the mounting plate



- (5) Thread the mains cable from the wall through the middle of the mounting plate and secure it to the structure



- (6) Note direction of the up/down beam labelling
- (7) Terminate fixture wiring to mains cable and fix housing to mounting plate
- (8) Ensure all screws are tightened before use
- (9) Installation is complete

