

# STELLAR PRO

Parking Lot and Area Light



**Applications:** Parking lots, general area lighting, sporting facilities, roadway, car dealerships

## PERFORMANCE SUMMARY

The Stellar Pro area/site luminaire combines impressive aesthetics, ease of installation features and advanced optical control resulting in significant installation and energy savings.

Incorporating precision engineering optics, the Stellar Pro luminaire offers a choice of scalable distributions that deliver superior control and maximize light levels, whether the application is a parking lot or a pedestrian walkway.

## Construction

- Rugged, single-piece, die-cast aluminum housing and driver compartment with patent low profile design
- IP65 rated optics and fixture
- Hinged, compartmented release door with tool-less entry
- Multiple mounting options including square/round pole, slipfitter, bracket and wall mount enabling seamless retrofit applications
- Finished in polyester powdercoat process withstanding extreme weather while providing optimal color and gloss retention.

## Optical

- Interchangeable polycarbonate lens deliver distributions in type III, IV or V optics
- 6 lumen package ranging from 13,392 - 47,430 nominal lumens
- Flicker free and dark sky compliant zero uplight

## Electrical

- 120-277VAC, 120-347VAC, 347-480VAC
- Average rated life L70/L90: >100,800H/>160,800H
- PF: > 0.95 THD: <20%
- Operating Temperature: -22°F to 122°F
- 10kV/10kA, UL 1449 fused surge protection as standard
- Premium driver featuring input surge, output over-voltage, short circuit and over temperature protection
- Standard 1-10V dimming with optional twistlock photocell and sensor control

## PRODUCT CODE

Example Stellar Pro cat. 120.14L.T4.40.BR.SLB.IR/PS

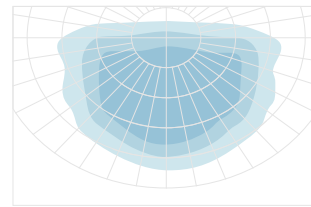
Model No	Voltage	Wattage (W)	Distribution	CCT (°K)	Finish	Mounting	Accessories
Stellar Pro	120 - 120-277V	14L - 13,950 lms	T3 - Type 3	30 - 3000K	BR - Bronze	SLA - 2.4" Slipfitter	MS - PIR Sensor
	347 - 277-347V	18L - 18,600 lms	T4 - Type 4	40 - 4000K	BK - Black	SLB - 3.0" Slipfitter	IR - Infrared Sensor
	480 - 347-480V	23L - 23,250 lms	T5 - Type 5	50 - 5000K	BR - Bronze	SLA - 2.4" Slipfitter	PE - Photocell
		28L - 27,900 lms	SP - Square Pole Direct				+ES - External Glare Shield
		37L - 37,200 lms	SP - Square Pole Direct				+EV - External 360° Full Visor
		47L - 46,500 lms	TM - Trunnion				+PS - 25/50/75% Power Selectable
xxL - Custom						0 - None	

**NOTES**  
 1Maximum tunable to 47L

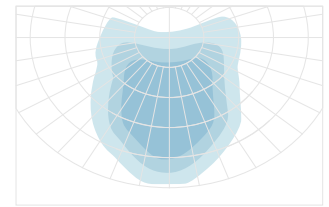


Specification	
Lumen Package	13,392 - 47,430
Wattage Range	90 - 300
Efficacy	155
Weight lbs (kg)	12.13 (5.5) - 16.98 (7.7)

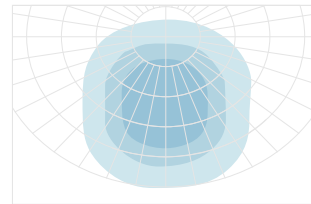
Type III



Type IV



Type V



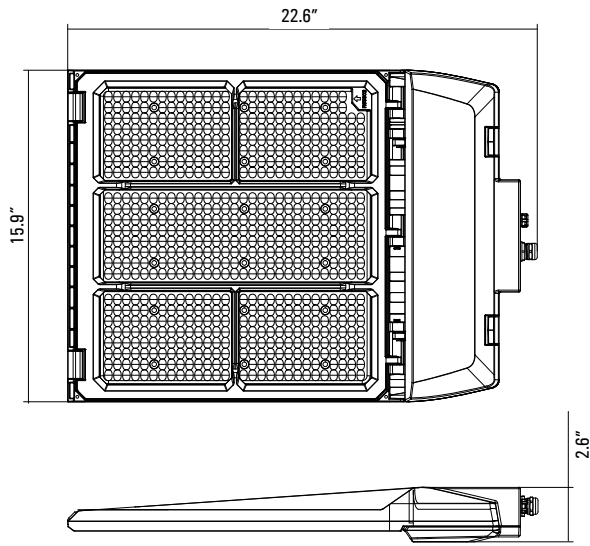
# STELLAR PRO

Parking Lot and Area Light

## DIMENSIONS

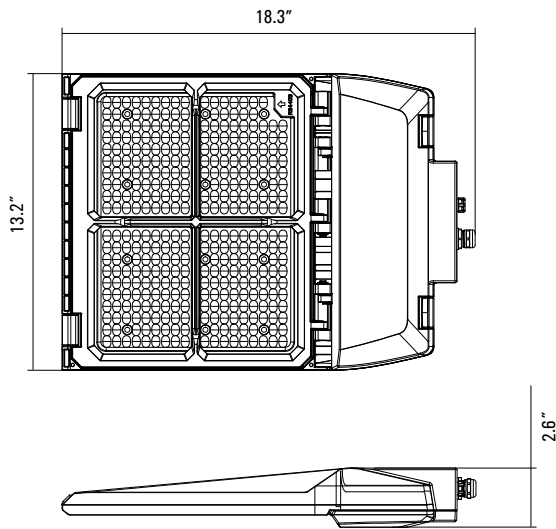
28L/37L/47L

Weight: 17.0lbs/7.7kg



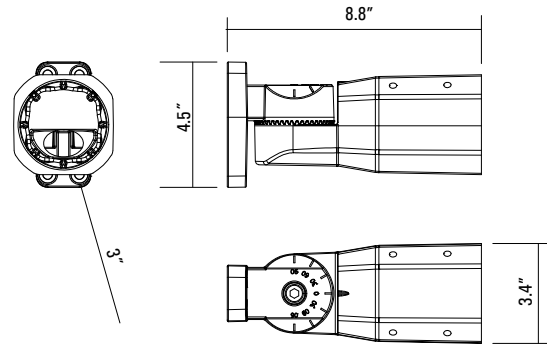
14L/18L/23L

Weight: 12.1lbs/5.5kg

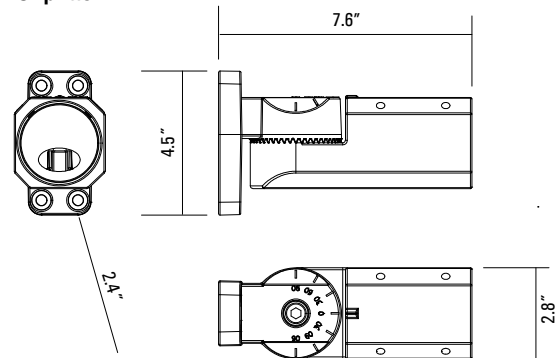


## DRILL PATTERN

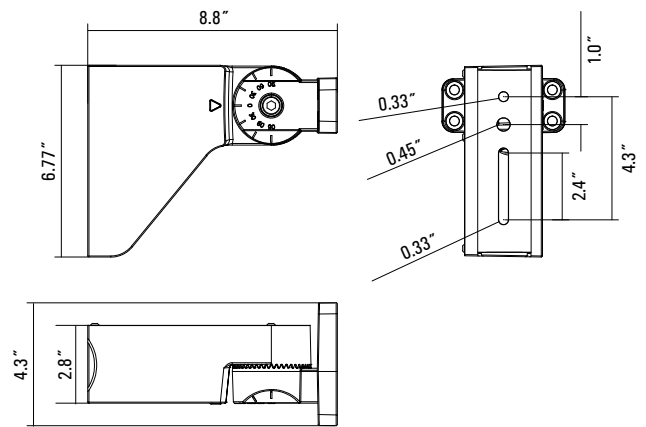
### 3" Slipfitter



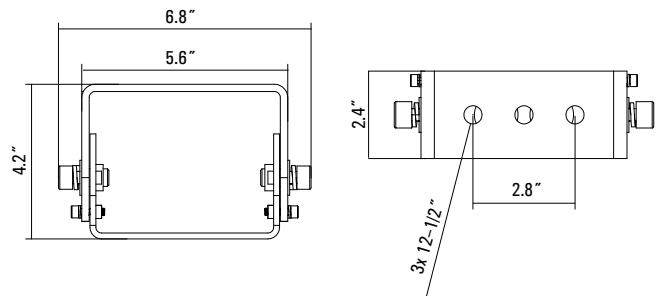
### 2.4" Slipfitter



### Direct Mount









### Trunnion



# STELLAR PRO

Parking Lot and Area Light

## EPA

Fixture Quantity & Mounting Configuration	Single	2 @ 180°	2 @ 90°	3 @ 90°	3 @ 120°	4 @ 90°
Mounting Type						
150W with RP/SP	1.52	3.04	2.64	3.45	3.28	3.47
300W with RP/SP	2.49	4.98	4.33	5.65	5.38	5.68
150W with SL	1.70	3.40	2.96	3.86	3.68	3.88
300W with SL	2.79	5.58	4.85	6.33	6.02	6.36

<sup>1</sup>Including luminaire head and mounting arm as shown. Contact factor for other tenons, arms or bracket EPA data

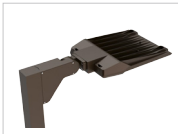
## LUMEN OUTPUT

Lumen Package	System Watts	3000K		4000K		5000K	
		Lumens <sup>1</sup>	Efficacy LPW	Lumens <sup>1</sup>	Efficacy LPW	Lumens <sup>1</sup>	Efficacy LPW
14L	90	13,392	149	13,950	155	14,229	158
18L	120	17,856	149	18,600	155	18,972	158
23L	150	22,320	149	23,250	155	23,715	158
28L	180	26,784	149	27,900	155	28,458	158
37L	240	35,712	149	37,200	155	37,944	158
47L	300	44,640	149	46,500	155	47,430	158

<sup>1</sup>Initial delivered lumens at 25°C (77°F). Actual production yield may vary between -10 and +10% of initial delivered

## OPTIONS

### Mounting



**SP**  
Direct Square Pole



**RP**  
Direct Round Pole

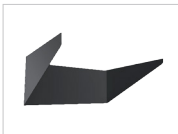


**TM**  
Trunnion Mount



**SLA/SLB**  
2.4/3.0" Slipfitter

### Accessories



**EV**  
External Glare Shield



**EV**  
External 360° Full Visor

## COVERAGE PATTERN

